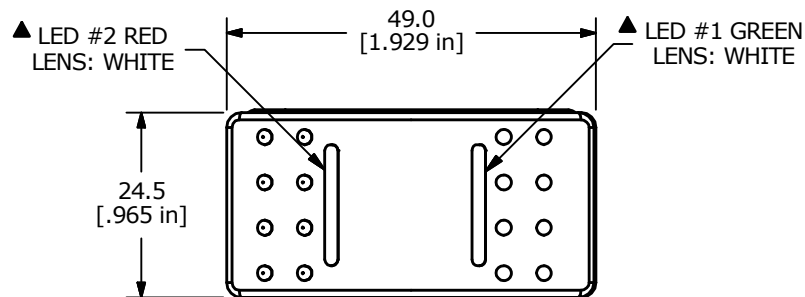
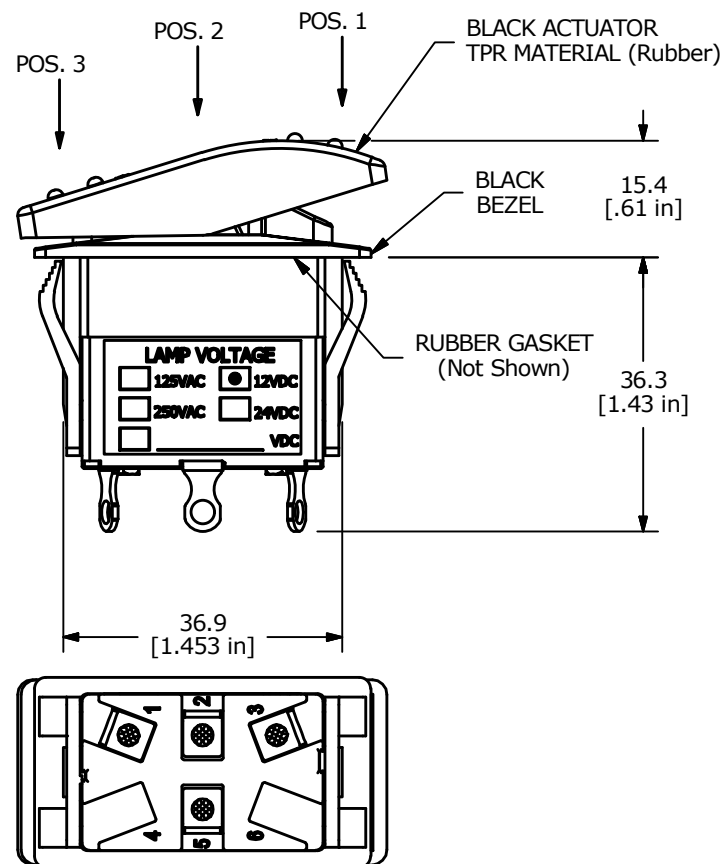
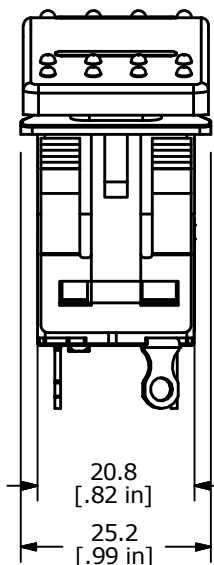
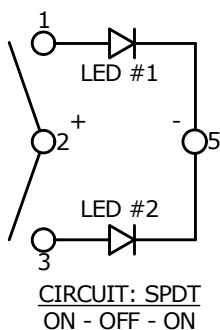


RECOMMENDED PANEL CUT-OUT

PANEL THICKNESS	X
1.0 - 1.5	37.3 <sup>+0.0</sup> <sub>-0.1</sub>
2.5 - 3.0	37.5 <sup>+0.0</sup> <sub>-0.1</sub>
3.5 - 4.5	37.7 <sup>+0.0</sup> <sub>-0.1</sub>



SWITCH FUNCTION		
POS. 1	POS. 2	POS. 3
ON	OFF	ON
1-2	NONE	2-3



- NOTES:
- ALL DIMENSIONS IN MM [INCH]
  - GENERAL TOLERANCE: X.X=±0.4  
X.XX=±0.25
  - TERM. NOS. FOR REF. ONLY
  - RATING: 16A @ 30VDC, 50/60 Hz, µT85/55  
UL LISTED
  - ELECTRICAL LIFE: 10,000 CYCLES
  - MECHANICAL LIFE: 30,000 CYCLES
  - CONTACT RESISTANCE: <20 MILLI-OHMS INITIAL
  - DIELECTRIC STRENGTH: >1,500V AC 1MIN
  - INSULATION RESISTANCE: >100 MOHMS @ 500VDC
  - OPERATING TEMP: 0°C to 55°C
  - LED VOLTAGE: 12VAC
  - ▲ DENOTES CRITICAL PARAMETER.
  - 2011/65/EU (ROHS) COMPLIANT



REV	PCR NO	DESCRIPTION	DATE	BY
B	22859	UPDATED LED IDENTIFICATION	5/22/17	MJR
A	22853	NEW RELEASE	5/16/17	MJR

TITLE R713SB4-SXXX2B4GRW				
SCALE 1:1	DATE 5/16/2017	DR MJR	DWG C700038	REV B

THE INFORMATION CONTAINED IN THIS DOCUMENT IS PROPRIETARY TO E-SWITCH AND IS NOT TO BE COPIED OR TRANSFERRED